

VIVA GLOBAL INDIA



“ Our Best Is Your Better “

OUR STORY



Founded in the year of 2004, with the modest investment by the group of young engineers and an ambition to be a major commercial fastener supplier in Indian market and a reliable supplier in sophisticated industry.

In a short span of time of five years, we have more than doubled our production capacity and have created a strong presence in the commercial market of India. As well as we maintained a reliable supply in ever growing export market.

We are quite young with respect to our experience in fastener industry yet we have maintained consistency in the quality of our products and have well satisfied group of clients.

TECHNOLOGY

All of our fasteners are manufactured from best quality raw materials from Jindal Steel and Vishakhapatnam Steel Plant.

We equip best and high speed Heading and Threading Machinery along with premium imported tools and dies needed to forge and form a fastener.

We provide the desired heat treatment, coatings and packaging solutions thereby, taking care of each and every needs that a client wants on their fastener.

VISION AND MISSION

Our Vision is to be the preferred supplier and partner, be it an Export supply or commercial one, while maintaining state of the art Quality Control and creating a sustainable industrial environment.

Our Mission is to provide satisfactory product quality and develop lasting relationship with our client.



STAINLESS STEEL WIRES



Grades :

201, 202, 204 CU

301, 302, 303 ,304, 304 CU, 304 HC, 304 L, 316

410, 420

AS PER ASTM, DIN, BS, JIS, NACE, AWS, GOST, ETC. INTERNATIONAL STANDARDS AND CUSTOMER SPECIFIC REQUIREMENTS.

Description	Size Range	Applications
Cold heading wire	1.20 MM TO 16.00 MM	For Nut, Bolt, Tapping Screws, Machine Screw, Philip Head Screws, Wood Screw, Screw Cross Head

*CUSTOMER REQUIREMENT SPECIALIZED WIRES AVAILABLE



STAINLESS STEEL & MILD STEEL

SCREW

1

TYPES OF SCREWS
A. TAPPING SCREWS
B. MACHINE SCREWS

2

SIZE OF SCREWS
M2 TO M12

3

LENGTH OF SCREWS
5 MM TO 150 MM

4

PLATTING
ALL TYPES OF PLATTING AVAILABLE

5

TOLERANCE
+/- 0.01 MM TO +/- 0.05 MM

6

HEAD TYPES
ALL TYPES OF HEAD AVAILABLE

7

DRIVE TYPES
ALL TYPES OF DRIVE AVAILABLE

8

THREAD TYPES
UNC , UNF , BSW , BSF

9

POINT TYPES
TYPE - A
TYPE - B
TYPE - AB

GRADES OF SCREWS

A. STAINLESS STEEL GRADES :

204 , 304 , 316

A2 - 70 , A2 - 80

A4 - 70 , A4 - 80

B. MILD STEEL GRADES :

4.4 , 4.8 , 5.6 , 6.6 , 8.8 ,

10.9 , 12.9

STANDARDS OF SCREWS

ISO , ASTM , JIS , DIN , ANSI ,
EN , AS , GB , etc..

*CUSTOMER REQUIREMENT SPECIALIZED SCREWS AVAILABLE

HEAD TYPES OF SCREWS



BUGLE HEAD



BUTTON HEAD



FILLISTER HEAD



FLAT HEAD



HEX HEAD



HEX WASHER HEAD



OVAL HEAD



PAN HEAD



TRUSS HEAD



SOCKET CAP HEAD

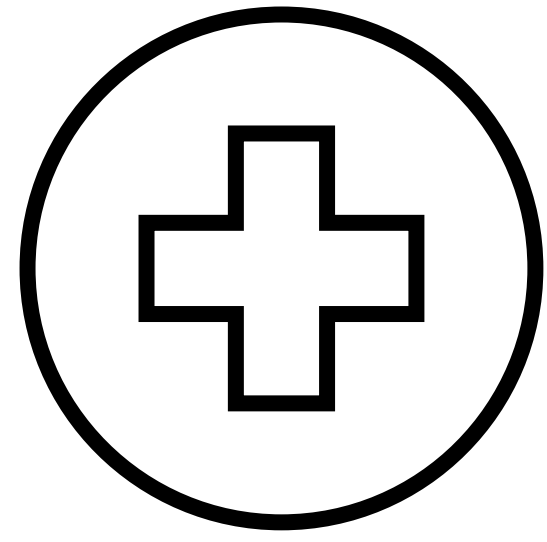


ROUND HEAD

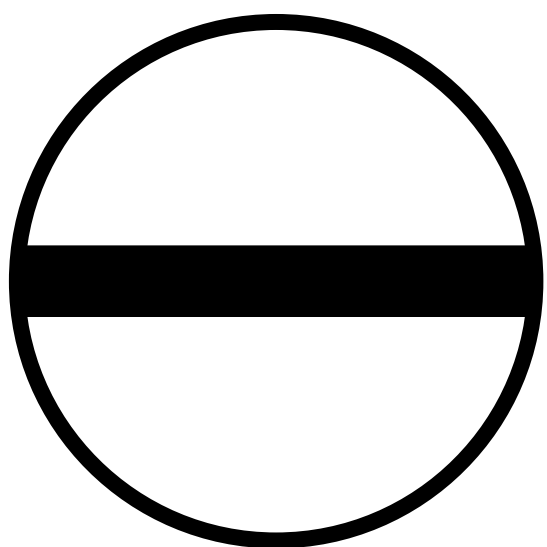


ROUND WASHER HEAD

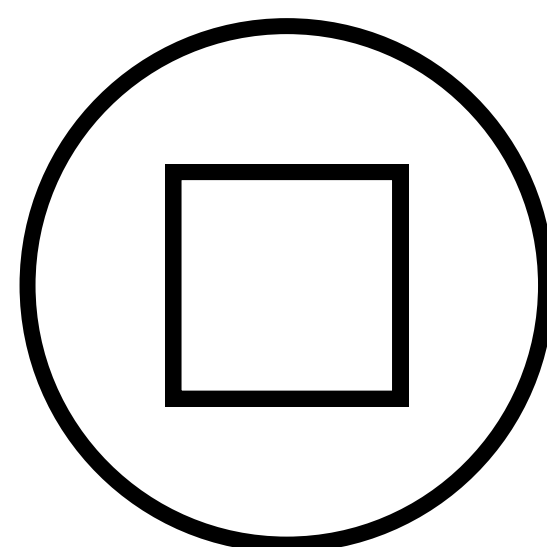
SCREWS



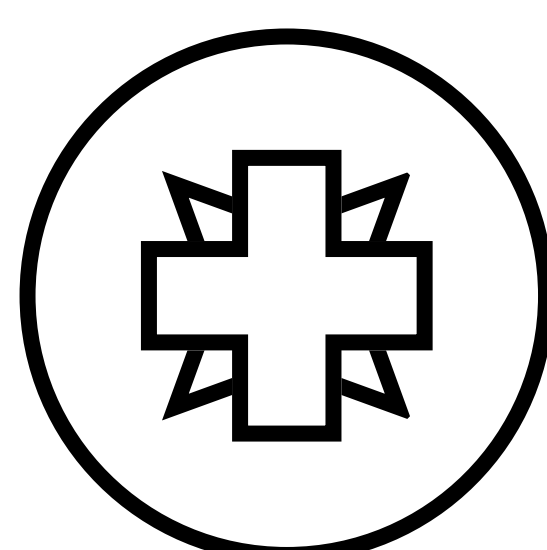
PHILLIP DRIVE



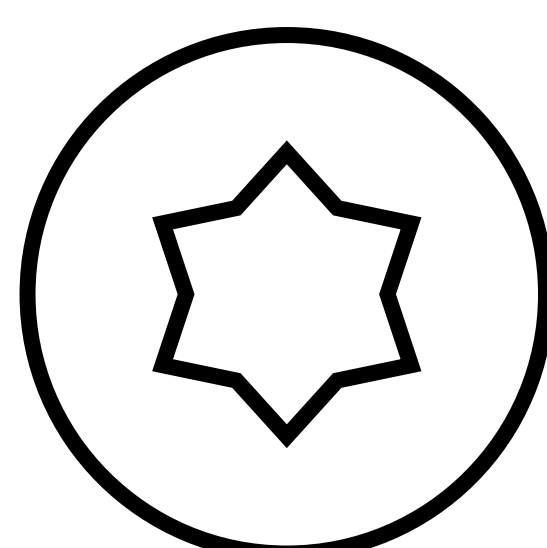
SLOTTED DRIVE



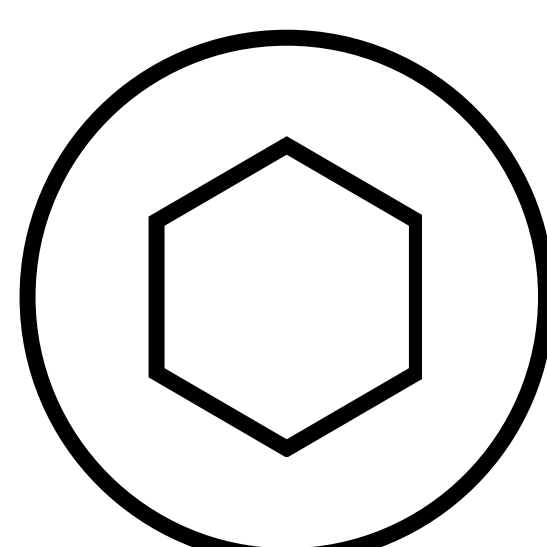
SQUARE DRIVE



POZIDRIV DRIVE



TORX DRIVE



HEX DRIVE

SCREWS MANUFACTURING PROCESS





STAINLESS STEEL & MILD STEEL

BOLTS

1

TYPES OF BOLTS

- A. FULL THREADED BOLTS
- B. HALF THREADED BOLTS

2

SIZE OF BOLTS

M5 TO M36

3

LENGTH OF BOLTS

10 MM TO 350 MM

4

PLATTING

ALL TYPES OF PLATTING AVAILABLE

5

TOLERANCE

+/- 0.01 MM TO +/- 0.05 MM

6

HEAD TYPES

ALL TYPES OF HEAD AVAILABLE

7

DRIVE TYPES

ALL TYPES OF DRIVE AVAILABLE

8

THREAD TYPES

UNC , UNF , BSW , BSF

9

POINT TYPES

TYPE - AB

GRADES OF BOLTS

A. STAINLESS STEEL GRADES :

204 , 304 , 316
A2 - 70 , A2 - 80
A4 - 70 , A4 - 80

B. MILD STEEL GRADES :

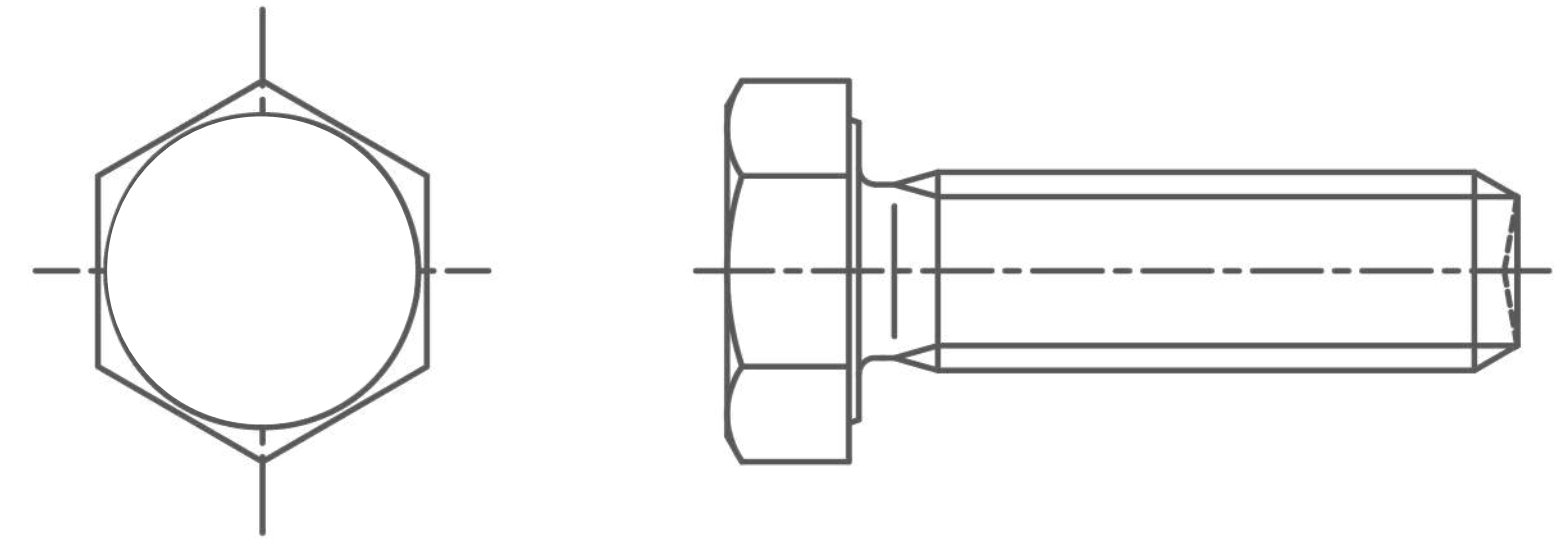
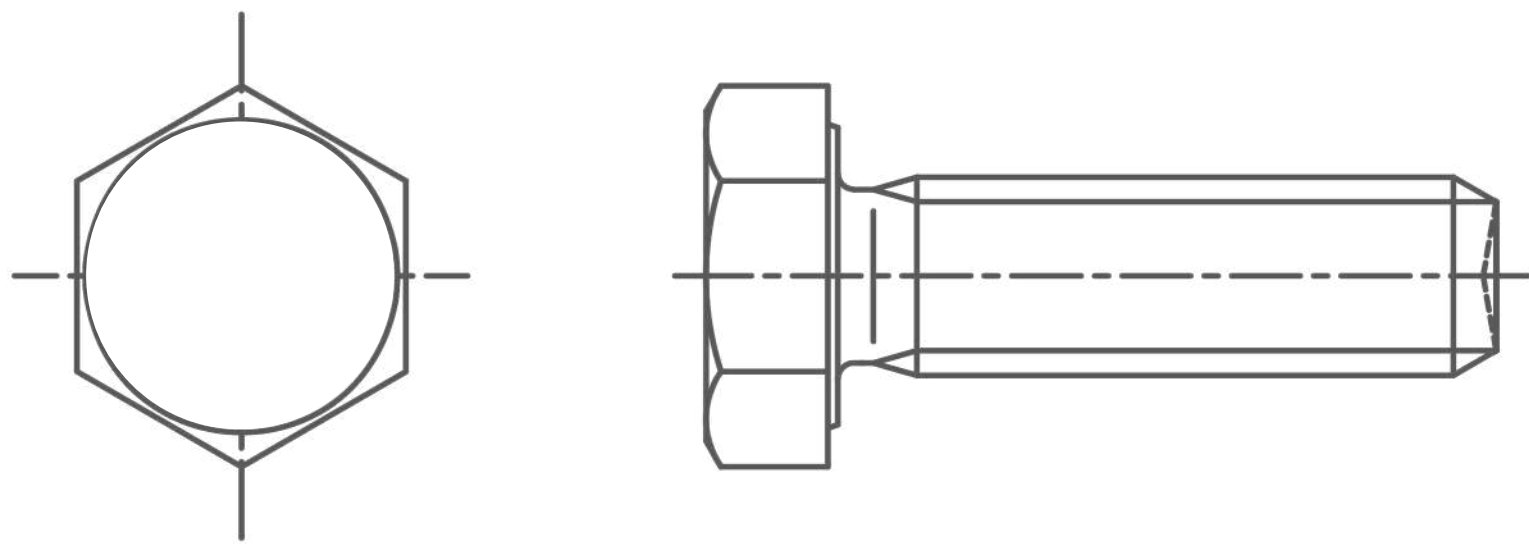
4.4 , 4.8 , 5.6 , 6.6 , 8.8 ,
10.9 , 12.9

STANDARDS OF BOLTS

ISO , ASTM , JIS , DIN , ANSI ,
EN , AS , GB , etc..

*CUSTOMER REQUIREMENT SPECIALIZED BOLTS AVAILABLE

BOLTS



HEXAGON HEAD BOLT

DIN 933 / ISO 4017

GRADE :
204 , 304 , 316
A2-70, A2-80, A4-70, A4-80
4.4 , 4.8 , 5.6 , 6.6 , 8.8 , 10.9 , 12.9

SIZE

LENGTH

M 5
TO
M 36

10 MM
TO
200 MM

HEXAGON HEAD BOLT

DIN 931 / ISO 4014

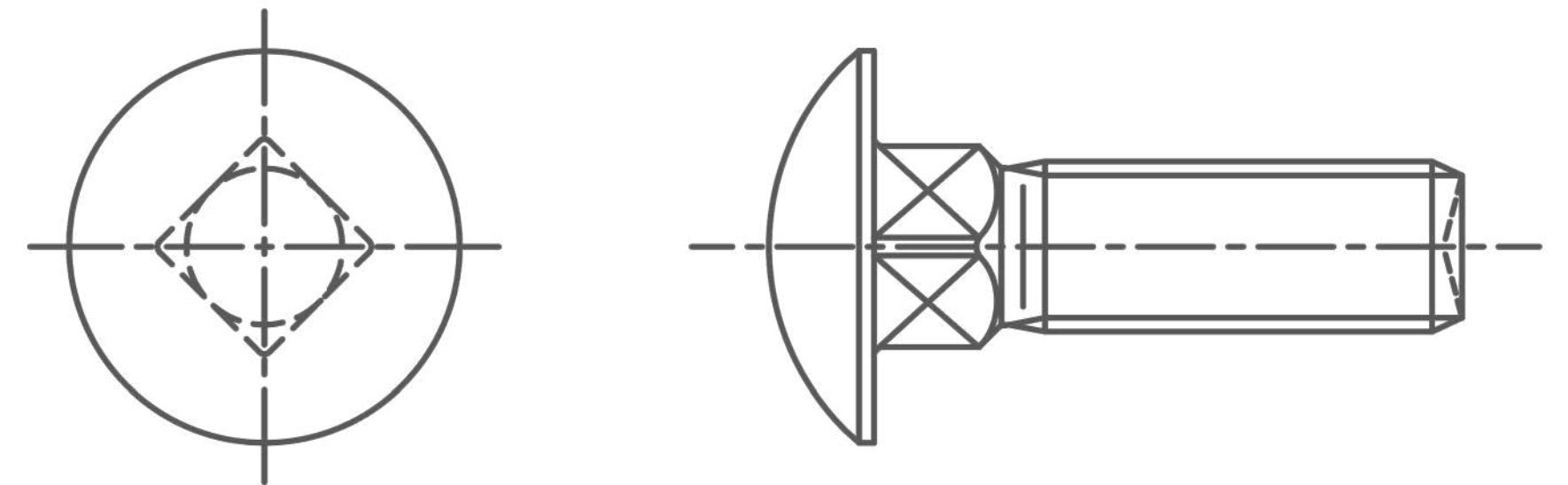
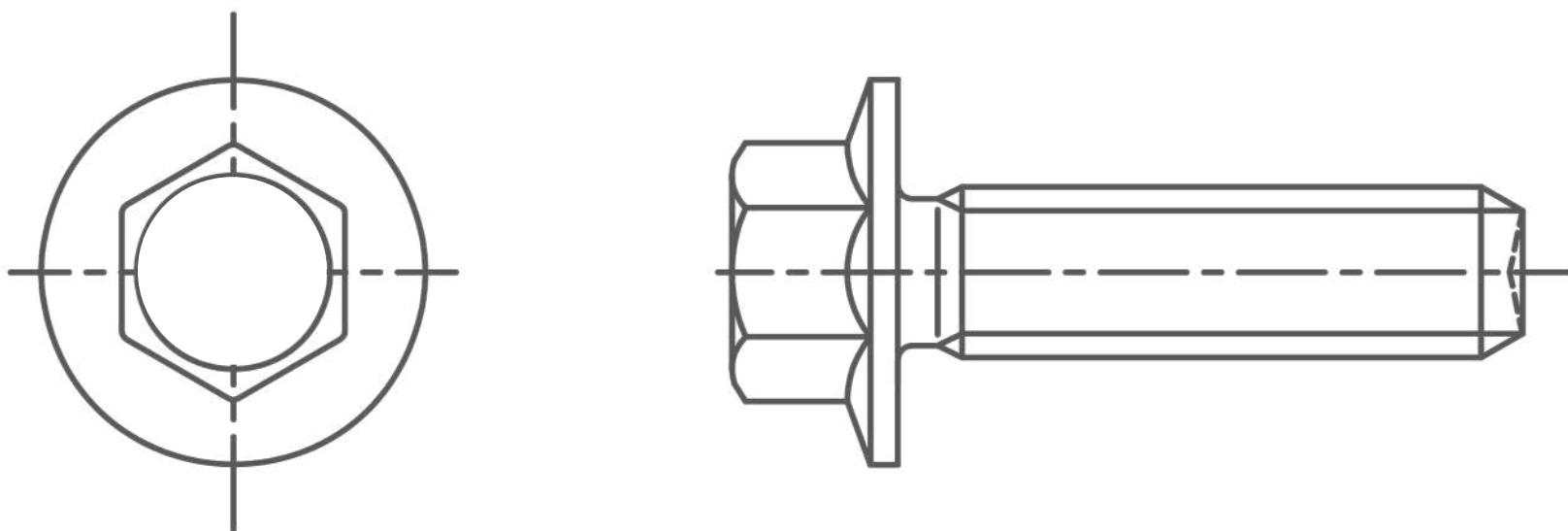
GRADE :
204 , 304 , 316
A2-70, A2-80, A4-70, A4-80
4.4 , 4.8 , 5.6 , 6.6 , 8.8 , 10.9 , 12.9

SIZE

LENGTH

M 5
TO
M 36

10 MM
TO
350 MM



HEXAGON FLANGE BOLT

DIN 6921

GRADE :
204 , 304 , 316
A2-70, A2-80, A4-70, A4-80
4.4 , 4.8 , 5.6 , 6.6 , 8.8 , 10.9 , 12.9

SIZE

LENGTH

M 5
TO
M 12

16 MM
TO
70 MM

CARRIGE BOLT

DIN 603

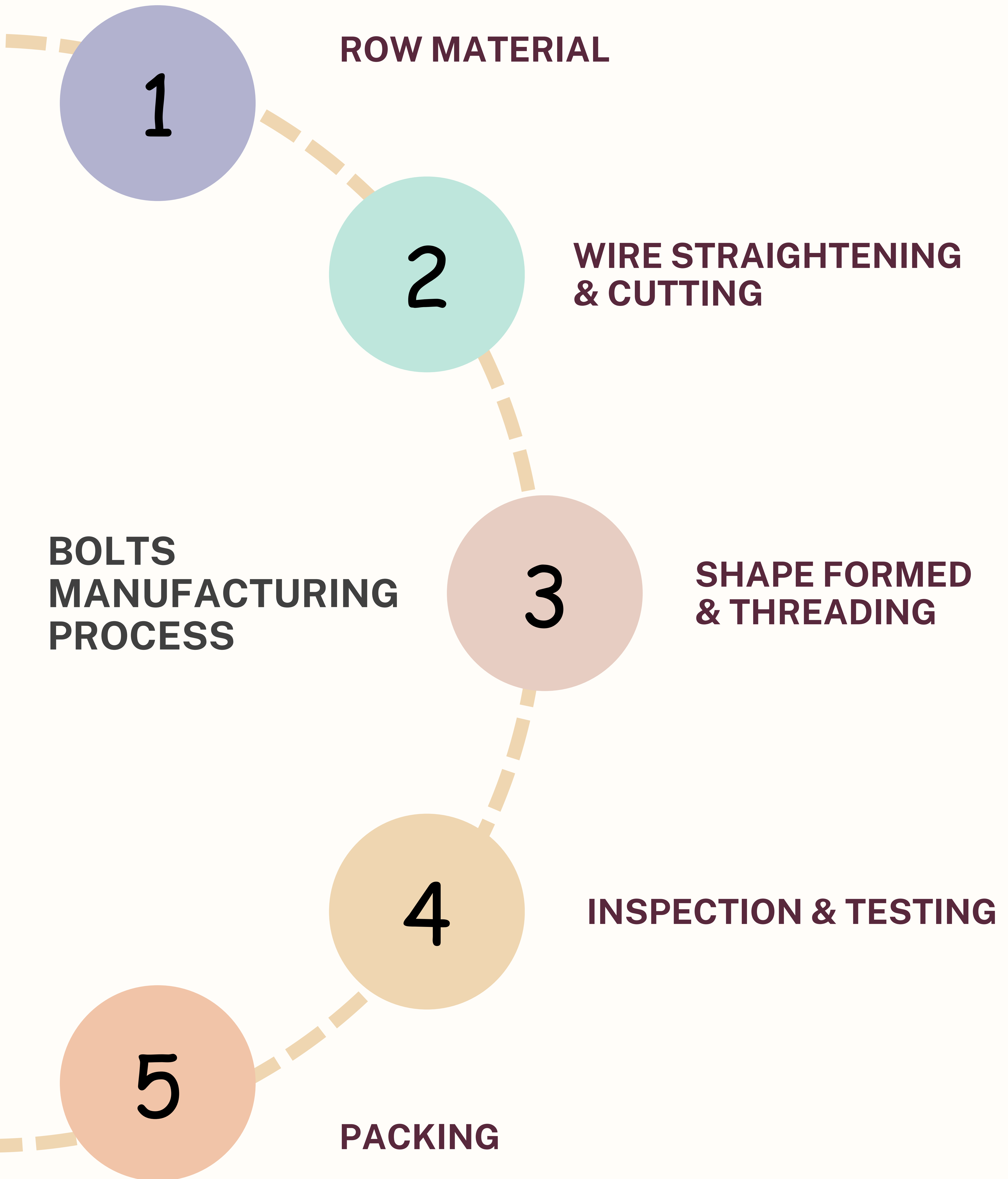
GRADE :
204 , 304 , 316
A2-70, A2-80, A4-70, A4-80
4.4 , 4.8 , 5.6 , 6.6 , 8.8 , 10.9 , 12.9

SIZE

LENGTH

M 5
TO
M 12

10 MM
TO
150 MM





STAINLESS STEEL & MILD STEEL

NUTS

1

TYPES OF NUTS
ALL TYPES AVAILABLE

2

SIZE OF NUTS
M5 TO M36

3

LENGTH OF NUTS
3 MM TO 200 MM

4

PLATTING
ALL TYPES OF PLATTING AVAILABLE

5

TOLERANCE
+/- 0.01 MM TO +/- 0.05 MM

6

THREAD TYPES
UNC , UNF , BSW , BSF

GRADES OF NUTS

A. STAINLESS STEEL GRADES :

204 , 304 , 316
A2 - 70 , A2 - 80
A4 - 70 , A4 - 80

B. MILD STEEL GRADES :

4.4 , 4.8 , 5.6 , 6.6 , 8.8 ,
10.9 , 12.9

STANDARDS OF NUTS

ISO , ASTM , JIS , DIN , ANSI ,
EN , AS , GB , etc..

*CUSTOMER REQUIREMENT SPECIALIZED NUTS AVAILABLE

NUTS

HEXAGON



SQUARE



NYLOCK



FLANGE



WING



DOME





STAINLESS STEEL & MILD STEEL

WASHERS

1

TYPES OF WASHERS
ALL TYPES AVAILABLE

2

SIZE OF WASHERS
M0.5 TO M12

3

LENGTH OF WASHERS
3 MM TO 200 MM

4

INNER DIA OF WASHERS
1 MM TO 200 MM

5

PLATTING
ALL TYPES OF PLATTING AVAILABLE

6

TOLERANCE
+/- 0.01 MM TO +/- 0.05 MM

GRADES OF WASHERS

A. STAINLESS STEEL GRADES :

204 , 304 , 316
A2 - 70 , A2 - 80
A4 - 70 , A4 - 80

B. MILD STEEL GRADES :

4.4 , 4.8 , 5.6 , 6.6 , 8.8 ,
10.9 , 12.9

STANDARDS OF WASHERS

ISO , ASTM , JIS , DIN , ANSI ,
EN , AS , GB , etc..

*CUSTOMER REQUIREMENT SPECIALIZED WASHERS AVAILABLE

WASHERS

FLAT



SPRING



SHOULDER



COUNTERSUNK



OVER SIZE



TYPES OF PACKING



BOX



PLASTIC BOX



PLASTIC BAG



WOODEN BOX



www.vivaglobalindia.com

Purchase Info :

purchase@vivaglobalindia.com

Sales Info :

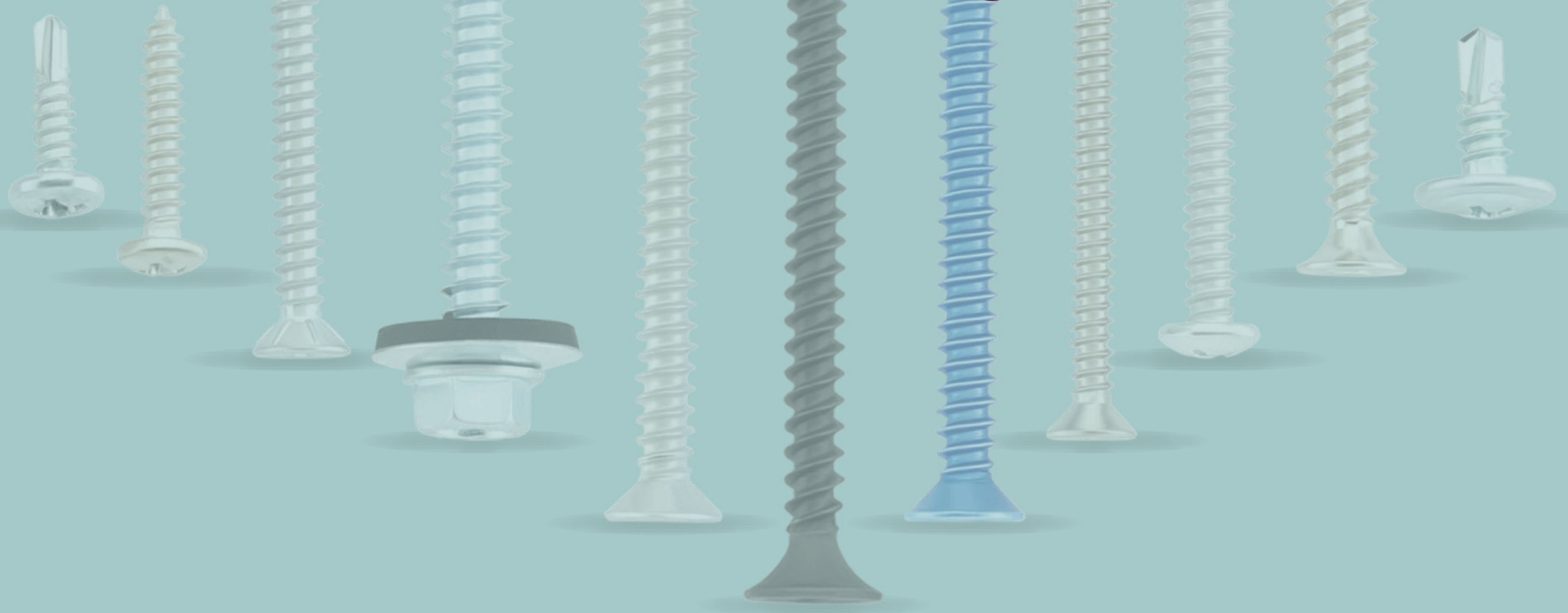
sales@vivaglobalindia.com

Support Info :

support@vivaglobalindia.com

Enquiries Info :

info@vivaglobalindia.com



Office Address :

" VIVA HOUSE ",
Patel Nagar Main Road,
40 ft Road, Om Nagar Circle,
Mavdi - Rajkot - 360 004,
Gujarat, India

Contact : (+91) 93137 82384

Factory Address :

" VIVA GLOBAL INDIA ",
Surbhi Industrial Area - 2,
Ravki - Makhavad Main Road,
Rajkot - 360 004,
Gujarat, India

Contact : (+91) 75728 90755